

Direct Mount Chain Wheels

Direct Mount Chain Wheels mount directly onto the gearbox input shaft by means of a pin or coupling, and are suitable for use with every range in our product offering.

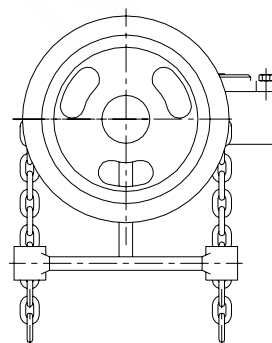
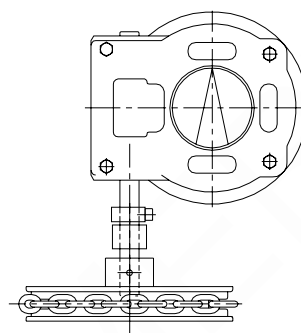
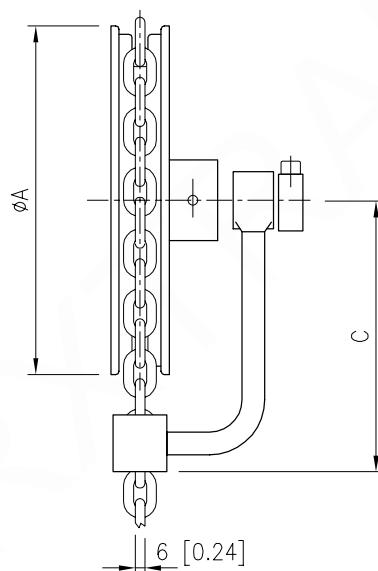
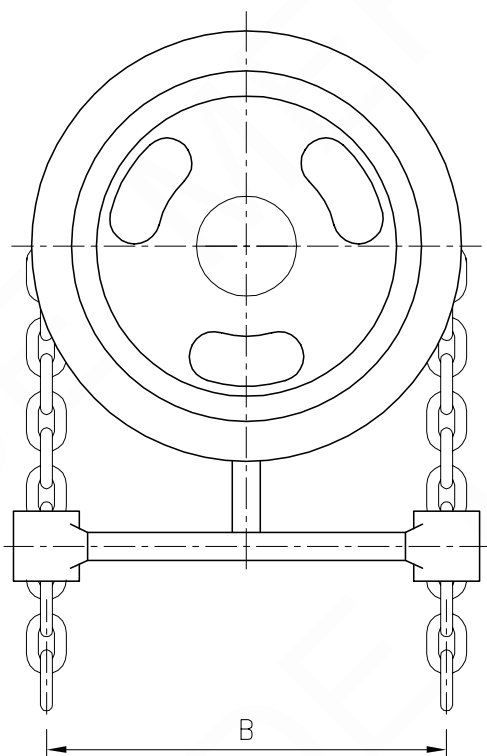
Features

- Cast iron chain wheels from 135 to 330 mm diameter, larger sizes can be supplied.
- Chain guides and bearing are standard.
- Chain and chain wheel sprockets are to DIN 766.
- Galvanized or stainless steel chain available.
- Epoxy coating for durability available.
- Direct mount on the input shaft.

Options

- AISI316 chain wheel & chain.
- Sheradisation protection.
- Adaption design to suit application.





DIMENSIONS			
	WHEEL 135	WHEEL 215	WHEEL 335
A	135 (5.31)	220 (8.66)	330 (12.99)
B	120 (4.72)	185 (7.28)	306 (12.05)
C	147.5 (5.81)	167.5 (6.59)	217.5 (8.56)

For larger size Chain Wheels, please contact MerxTrade.
Dimensions in mm (inch).
The maximum advised RIM pull is 700N.
Chain Wheels are not suitable for gears with rated torque lower than 330 Nm.

